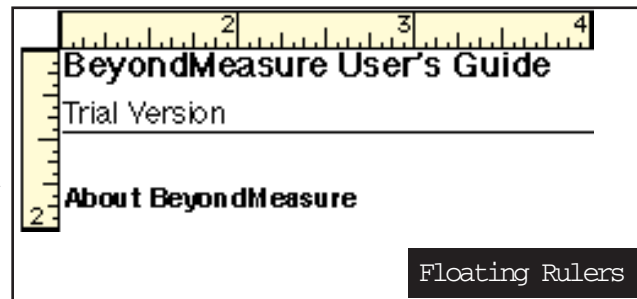


BeyondMeasure User s Guide

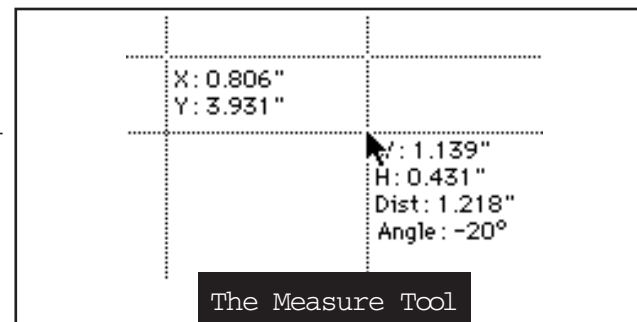
Trial Version

About BeyondMeasure

For the designer, BeyondMeasure provides Floating Rulers that snap to the elements of a page. Floating Rulers can have their own measurement units or use those of the current document. Users can create guidelines on the rulers, and quickly align items.



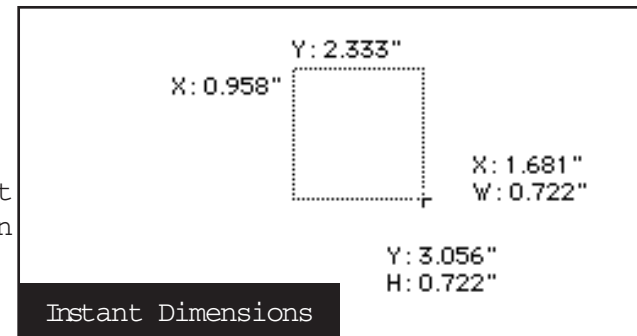
For the production person, BeyondMeasure provides the Measure Tool and Instant Dimensions. The Measure Tool finds the distance and angle between any two points. Instant Dimensions displays the X and Y coordinates, height and width of the current box, right at the cursor.



All BeyondMeasure features can be activated by a hot-key or key-click combination.

About Trialware

The enclosed version of BeyondMeasure is a full working version that will function for 30 days after installation on any Macintosh. In that time, we expect BeyondMeasure to become an integral part of your QuarkXPress[®] environment. If so, just call XChange to purchase a copy. Note: this trial version will cease to work on all computers after December 31, 1995.



System Requirements

Requires QuarkXPress for Macintosh version 3.3 or 3.31. We recommend that users take advantage of Quark's free upgrade from QuarkXPress 3.2/3.3 to 3.31.

Not intended for use with QuarkXPress for Power Macintosh, QuarkXPress for Windows, or previous versions of QuarkXPress for Macintosh.

Installing BeyondMeasure

Drag BeyondMeasure into your QuarkXPress XTension folder and launch QuarkXPress.

Using Floating Rulers

Choose Show Floating Rulers from the View menu.

Hold the following modifier keys while clicking on the rulers to activate Floating Ruler features:

Click and Drag	Move the ruler around the screen
Shift-Click and Drag	Move both rulers around the screen
Command-Click	Snap the ruler to current box or document edge
Command-Shift-Click	Snap both rulers
Control-Click	Create a QuarkXPress guide from the ruler
Option-Click	Delete horizontal or vertical guides on the current page or spread
Option-Shift-Click	Delete all QuarkXPress guides on the current page or spread
Double-Click	Display the BeyondMeasure Preferences dialog box

Using the Measure Tool

Click on the Measure Tool in the tool palette to measure between any two points in a document.

Click on the first point, hold the mouse button, and drag the pointer to the second point to see the horizontal width, vertical height, total distance and angle.

Note: You can also use the hot key, Control-M, to select the Measure Tool.

Using Instant Dimensions

Double-click on Floating Rulers or the Measure Tool to display BeyondMeasure Preferences.

Check Instant Dimensions to enable the Instant Dimensions display.

Use the Font and Size pop-ups to set the font and size of the display.

When you create, move or resize a text or picture box, you will see Instant Dimensions.

Note: you can also use the hot key, Control-I, to enable or disable Instant Dimensions.

Using the Remaining BeyondMeasure Features

Double-click on Floating Rulers or the Measure Tool to bring up BeyondMeasure Preferences.

Check Use Document Origin for rulers that measure relative to the origin of the current document.

Check Auto-Snap for rulers that snap to the currently selected item or to the edge of the document. Note: when Auto-Snap is turned on, rulers can't be moved by hand. Click on a ruler to create a guide, or double-click to display BeyondMeasure Preferences.

Check Ticks on Opposite Side to measure the bottom or right side of an item. Rulers will now snap to the bottom-right of the selected item.

Use the Color pop-up to set the color of the rulers.

Check Display Crosshairs for vertical and horizontal crosshairs when using the Measure Tool or positioning the cursor to create boxes and lines.

Contacting Acrobyte

Please send comments and suggestions concerning BeyondMeasure and the BeyondMeasure User's Guide to:

Acrobyte
2501 Forest Street
Denver, CO 80207 USA

Or contact us online:

e World: Acrobyte
AOL: ACROBYTE
Compuserve: 71461,723
Internet: acrobyte@eworld.com

Copyright Information

This user guide and the trial software described in it are copyrighted to Acrobyte, with all rights reserved. This user guide, with all legal notices, must accompany any copies made of the trial software.

Acrobyte and the Acrobyte logo are registered trademarks of Acrobyte LLC. XTension is a trademark and QuarkXPress is a registered trademark of Quark, Inc. All other trademarks are the properties of their respective owners.

The following statement is required by Quark, Inc:

Quark, Inc. makes no warranties, either express or implied, regarding the enclosed computer software package, its merchantability or its fitness for any particular purpose. Quark, Inc. disclaims all warranties of including, but not limited to, distributors and retailers of Quark, Inc. software. Without limiting the foregoing, in no event shall Quark, Inc. be liable for any special, indirect, incidental or consequential damages in any way relating to the use or arising out of the use of the enclosed software. Quark, Inc.'s liability shall in no event exceed the total amount of the purchase price/license fee actually paid for the use of the enclosed software. Some states do not allow the exclusion of implied warranties and/or the exclusion or limitation of incidental or consequential damages, so these exclusions and limitations may not apply to particular customers.

© 1994-1995 Acrobyte LLC. All Rights Reserved.